



承认书

SPECIFICATION FOR APPROVAL

文件编号 Document NO: ZM-JS-CRS24-0148

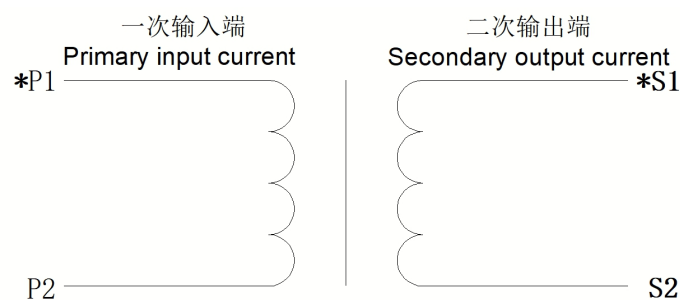
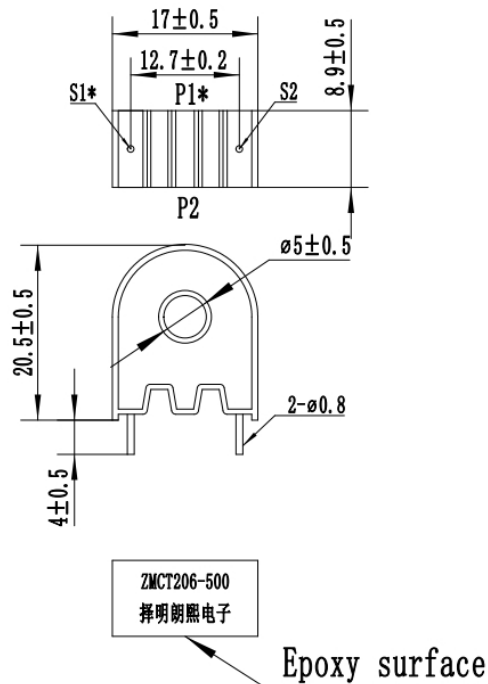
客户名称 Customer: LH Electronics s.r.o			
客户零件编号 Customer part number:			
择明产品名称 ZEMING product name: 电流互感器 Current Transformer			
择明产品型号 ZEMING Product number: ZMCT206-500			
文件发布日期 Document release date: 2024-03-22			
文件有效期 File validity period: 长期 long time			
版本号 Version number: A1			
择明审批确认 ZEMING Approval and verification			客户确认(签字或盖章均有效) Customer confirmation(sign or stamp)
批准 Approval	审核 Audit	编制 Draw up	确认人 Confirmer: 日期 Date:
和鹏	赵玉霞	孙祺翔	
特别申明: 1.此技术保证书请客户在 7 个工作日内确认回复, 若在规定的时间内未答复, 择明将视为同意。This is Technical Guarantee. Please customer confirm it and reply within 7 working days. And if it not be replied within the prescribed time, ZEMING will deem that customer has agreed it. 2.本技术协议为客供各执一份, 客户端为原件。客户端确认后, 也可以将此转换为自己控制协议, 但内部协议条款不允许修改变动.This technical agreement is in duplicate,supplier holding one copy and customer holding the original copy. After being confirmed by customer,this agreement can also transform to be internal control agreement,but the terms of this agreement can not be allowed to modify changes. 3.双方确认后均需按照协议里面之相关要求来进行控制,有违协议要求的导致 产品问题,需己方自行承担。After confirmed by both parties,it shall be carried out in according to the requirements of agreement. And against this agreement,it caused any products' problem,to duty party own bear. 4.客供双方提出变更必须使用此文件作为变更主页(可带附页)。 This document must be used as main or home page of changes(can be with attached pages) when both parties propose changes.			





电流互感器规格书 current transformer specification

1. 尺寸 Size



备注 Notes:

- 1) Unit 单位: mm
- 2) Current direction 电流方向: “*” 代表 “同名端”-- “*” means “same Polarity”;



2. 特性参数 characteristic parameters:

参数 Characteristics	数值 Values
工作频率 Operating frequency	50/60Hz
工作温度 Operating temperature	-40°C ~+ 85°C
相对湿度 Relative humidity	≤95%
额定一次电流 Rated primary current I_p	15A
额定二次电流 Rated second current	30mA
变比 Transformation ratio	500:1
负载电阻 User supplied burden resistor	500Ω
电感 (@10KHz, 1V)	≥700mH
绝缘耐压测试 Insulation withstand voltage test	4.5Kv/1min <1mA
绝缘电阻 Insulation resistance	>500MΩ/500Vdc
精度等级 Accuracy class	20class



3. BOM 明细表 BOM List

编号 No.	材料 Material	规格 Spec. model	UL 编码 UL code	制造商 Manufacturer
1	铁芯 Core	铁氧体铁芯 Ferrite core	/	莱芜成威电子材料有限公司 Laiwu Chengwei Electronic Materials Co., Ltd
2	漆包线 Winding	2UEW	E206822	无锡巨丰复合线有限公司 Wuxi jufeng composite line co., ltd
3	外壳 Outside shell	PBT, Black	E332375	青县正隆橡塑五金制品有限公司 Qingxian Zhenglong Rubber and Plastic Hardware Products Co., Ltd
4	环氧树脂 Epoxy resin	TXH-92H-15	E196959	天津津桥 TIANJIN XINQIAO INSULATING MATERIAL CO
5	引针 Pins	φ 0.8-9-3.5	/	黄骅益捷 Huanghua YIJIE
6	胶带 Tape	阻燃环保 Flame retardant, Environmental protection	E328315	深圳新华辉 SHENZHEN XINHUAHUI
7	焊锡 Tin	Lead free high temperature 无铅高温	/	甲品 JIA PING

Add: Dabogeliu village, Jinniu Town, Qingxian, Cangzhou City, Hebei Province, China. 062650

河北省沧州市青县金牛镇大鹤留工业园, 邮编: 062650

Tel: 86-25-52601870

mail: zm@zeming-e.com

Website: www.micro-transformer.com